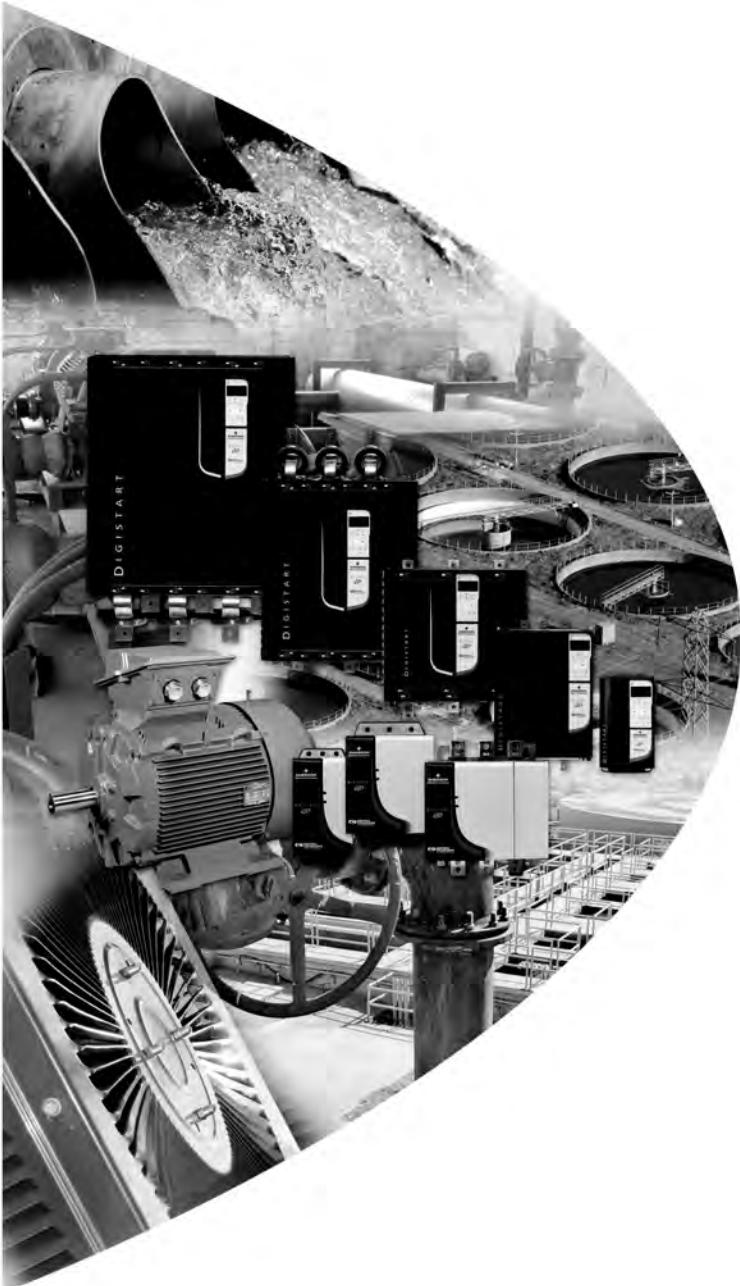




**EMERSON**<sup>™</sup>  
Industrial Automation



*User Guide*

---

# DeviceNet Module

---

For Digistart soft starters

Part Number: 0477-0008-03

Issue: 3



[www.controltechniques.com](http://www.controltechniques.com)

**General Information**

The manufacturer accepts no liability for any consequences resulting from inappropriate, negligent or incorrect installation or adjustment of the optional parameters of the equipment or from mismatching the starter with the motor.

The contents of this guide are believed to be correct at the time of printing. In the interests of commitment to a policy of continuous development and improvement, the manufacturer reserves the right to change the specification of the product or its performance, or the content of the guide without notice.

All rights reserved. No parts of this guide may be reproduced or transmitted in any form or by any means, electrical or mechanical including, photocopying, recording or by an information storage or retrieval system, without permission in writing from the publisher.

---

# Contents

---

<b>1.</b>	<b>Introduction .....</b>	<b>4</b>
<b>2.</b>	<b>Important User Information.....</b>	<b>4</b>
<b>3.</b>	<b>Installation .....</b>	<b>4</b>
3.1	Physical installation.....	4
<b>4.</b>	<b>DeviceNet Module Connection and Configuration.....</b>	<b>5</b>
4.1	Adjustment.....	5
4.2	Connection.....	6
4.3	Module and network LEDs .....	6
<b>5.</b>	<b>Master Configuration.....</b>	<b>7</b>
5.1	Configuration .....	7
5.2	DeviceNet Polled I/O Structure .....	7
<b>6.</b>	<b>Data Structures .....</b>	<b>7</b>
6.1	Devicenet polled I/O output data structure .....	7
6.2	DeviceNet polled I/O input data structure .....	8
6.3	Trip Codes .....	9
<b>7.</b>	<b>Parameter Object .....</b>	<b>10</b>
<b>8.</b>	<b>Specifications.....</b>	<b>11</b>

# 1. Introduction

The DeviceNet Module can be used with Digistart CS and Digistart IS soft starters to allow the starter to be connected to a serial communications network using the DeviceNet protocol.

# 2. Important User Information

Observe all necessary safety precautions when controlling the soft starter remotely. Alert personnel that machinery may start without warning.

It is the installer's responsibility to follow all instructions in this manual and to follow correct electrical practice.

# 3. Installation



Remove mains and control voltage from the soft starter before attaching or removing accessories. Failure to do so may damage the equipment.

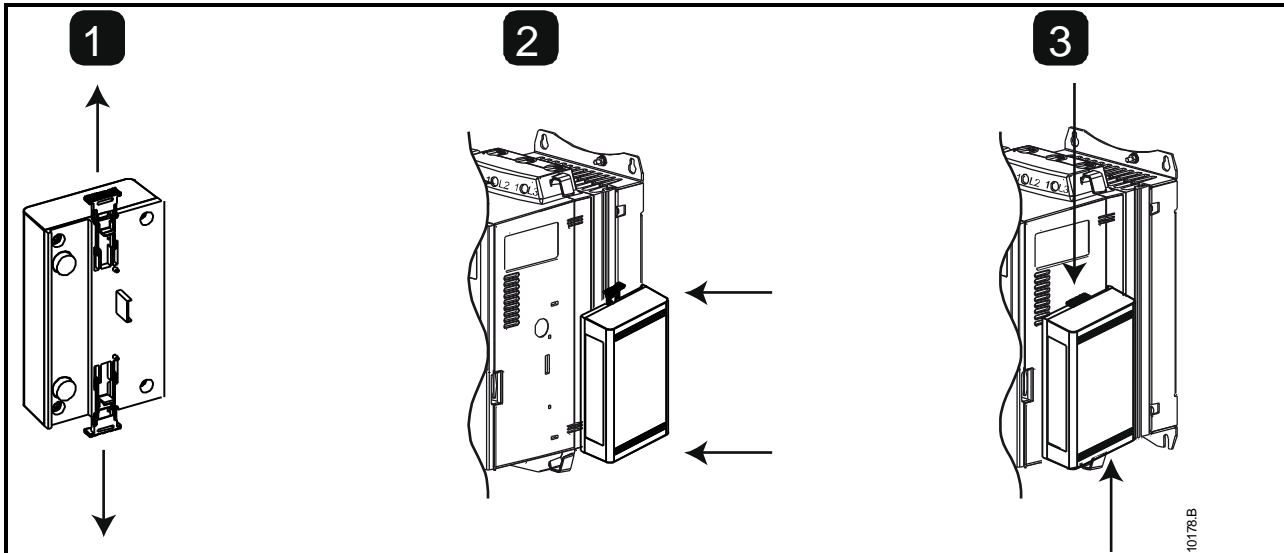
Install the DeviceNet Module using the following procedure:

1. Remove control power and mains supply from the soft starter.
2. Attach the module to the soft starter as illustrated.
3. Set the DeviceNet Module Node Address (MAC ID) and Data Rate.
4. Apply control power to the soft starter.
5. Insert the network connector into the module and power up the DeviceNet network.

## 3.1 Physical installation

1. Fully pull out the top and bottom retaining clips on the module.
2. Line up the module with the comms port slot.
3. Push in the top and bottom retaining clips to secure the module to the starter.

Figure 3-1 Attach the module to the starter



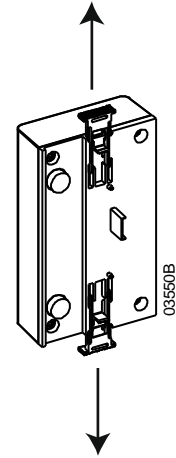
Network designs must decrease the maximum allowable cumulative dropline length by 400 mm for every module installed on the network. Failure to do so may result in network communication errors and decreased reliability.

Example: ODVA specifies a maximum cumulative dropline length of 156 m on a network operating at 125 kb/s. If six modules were installed on this network, the total cumulative dropline length would need to be decreased to 153.6 m.

**Figure 3-2 Remove the module from the starter**

Remove the DeviceNet Module using the following procedure:

1. Remove control power and mains supply from the soft starter.
2. Disconnect all field wiring from the module.
3. Fully pull out the top and bottom retaining clips on the module.
4. Pull the module away from the soft starter.

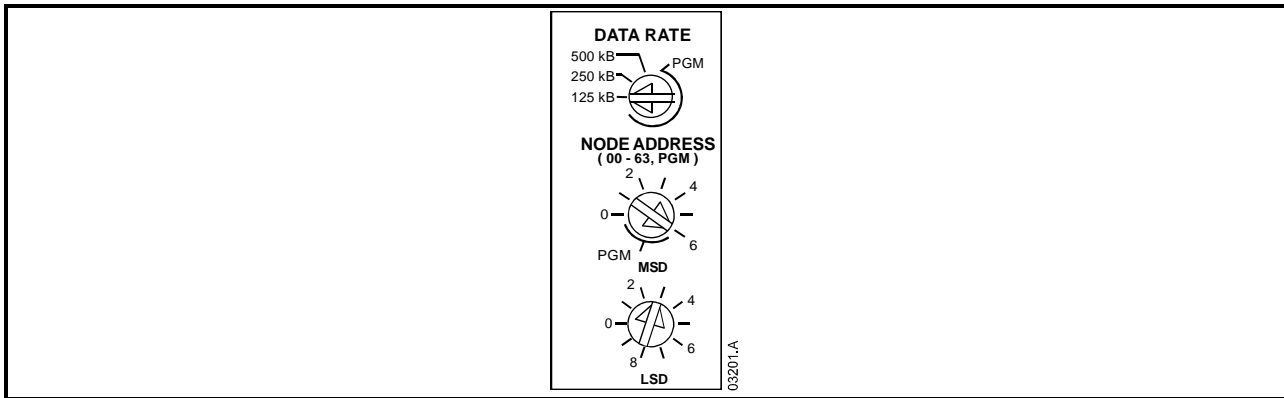


## 4. DeviceNet Module Connection and Configuration

### 4.1 Adjustment

The factory default settings for the rotary adjustment switches are:

**Figure 4-1 Adjustment switches**



Changes to the rotary switch settings take effect when the DeviceNet network is next powered up.

**NOTE**

The Data Rate and Node Address (MAC ID) must be set locally on the module. These cannot be set using DeviceNet management software.

When the Data Rate and MSD Node Address (MAC ID) rotary switches are set on PGM position, the module uses the previously used valid on-line Data Rate and Node Address (MAC ID).

## 4.2 Connection

Figure 4-2 DeviceNet Module connections

Digistart CS		Digistart IS	
<b>1</b>	Digistart CS	<b>1</b>	Digistart IS (Remote mode) DI2, +24V: Stop DI3, +24V: Reset
<b>2</b>	DeviceNet Module	<b>2</b>	DeviceNet Module
<b>3</b>	Standard connection onto DeviceNet network	<b>3</b>	Standard connection onto DeviceNet network

Digistart CS: For the DeviceNet Module to accept serial commands, a link must be fitted across terminals CSL-DI2 on the soft starter.

Digistart IS: Input links are required across the stop and reset inputs if the soft starter is being operated in Remote mode. In Local mode, links are not required.

**If emergency stop is not required, change the setting of Pr 3A or connect a link across C53, C54.**

**NOTE** Digistart IS Pr 30 *Comms in Remote* selects whether the soft starter will accept Start, Stop or Reset commands from the Serial Network Master while in Remote mode. See the Digistart IS User Manual for parameter details.

## 4.3 Module and network LEDs

The Module LED indicates the condition of the power supply and module operation.

The Network LED indicates status of the communication link between the DeviceNet Module and the network Master.

Figure 4-3 Feedback LEDs

LED	State	Description
<b>1</b> (Module)	Off	Network power off
	Green	Normal operation
	Red	Unrecoverable fault
	Red/Green flashing	Self Test mode
<b>2</b> (Network)	Off	Duplicate MAC ID test has not been completed
	Green flashing	Online but no connection with Master
	Green	Online and allocated to a Master
	Red flashing	One or more timed out I/O connections
	Red	Failed communication between module and Master
	Red/Green flashing	Communication faulted and received an Identity communication faulted request

**NOTE** When a communications failure occurs, the soft starter may trip if the Communication Timeout parameter for the network is set greater than zero. When communication is restored, the soft starter must be reset.

---

## 5. Master Configuration

---

### 5.1 Configuration

The DeviceNet Module is a Group 2 slave device, using a predefined master/slave connection set. I/O data is produced and consumed using polled I/O messaging.

The soft starter must be added to the DeviceNet manager project using the EDS file and configuration/management software tool. This file is available from [www.controltechniques.com](http://www.controltechniques.com). In order to operate successfully, the correct EDS file must be used. An on-screen graphics bitmap file (device.bmp) is also available.

An on-screen graphics bitmap file (device.bmp) is available on the website [www.controltechniques.com](http://www.controltechniques.com).

### 5.2 DeviceNet Polled I/O Structure

Once the EDS file has been loaded, the DeviceNet Module must be added to the scanner list with parameters shown in the following table:

**Table 5-1 DeviceNet polled I/O structure**

Parameter	Value
I/O connection type	Polled
Poll receive size	14 bytes
Poll transmit size	2 bytes

Once the soft starter, module and Master have been set up, configured and powered up, the Master will transmit 2 bytes of data to the module and receive 14 bytes of data from the module.

---

## 6. Data Structures

---

### 6.1 Devicenet polled I/O output data structure

Master > Slave polled I/O output data is as follows:

**Table 6-1 Output data structure**

Byte	Bit	Function
0	0	0 = Stop command 1 = Start command
	1	0 = Enable Start or Stop command 1 = Quick Stop (i.e. coast to stop) and disable Start command
	2	0 = Enable Start or Stop command 1 = Reset command and disable Start command
	3 to 7	<i>Reserved</i>
1	0 to 1 <sup>1</sup>	0 = Use soft starter remote input to select motor set 1 = Use primary motor set when starting <sup>2</sup> 2 = Use secondary motor set when starting <sup>2</sup> 3 = <i>Reserved</i>
	2 to 7	<i>Reserved</i>

<sup>1</sup> Only available on Digistart IS soft starters.

<sup>2</sup> Ensure that the programmable input is not set to Motor Set Select before using this function.

## 6.2 DeviceNet polled I/O input data structure

### 6.2.1 Devicenet polled I/O input data structure

Slave > Master polled I/O input data is as follows:

**Table 6-2 Input data structure**

Byte	Bit	Function	Value
0	0	Trip	1 = Soft starter trip
	1 <sup>1</sup>	Warning	1 = Soft starter warning
	2	Running	0 = Unknown, not ready, ready to start or tripped 1 = Starting, running, stopping or jogging.
	3	<i>Reserved</i>	
	4	Ready	0 = Start or stop command not acceptable 1 = Start or stop command acceptable
	5	Control from Net	1 = Always except in Program mode
	6	<i>Reserved</i>	
	7	At reference	1 = Running (full voltage at the motor)
1	0 to 7	Status	0 = Unknown (menu open <sup>1</sup> ) 2 = Starter not ready (restart delay, thermal delay or run simulation) <sup>1</sup> 3 = Ready to start (including warning state <sup>1</sup> ) 4 = Starting or running 5 = Soft stopping 7 = Trip 8 = Jog forward <sup>1</sup> 9 = Jog reverse <sup>1</sup>
2	0 to 7	Trip/Warning code	See trip code table on page 9
3	0	Initialised	1 = Phase sequence bit is valid (bit 1) after 1 <sup>st</sup> start
	1	Phase sequence	1 = Positive phase sequence detected
	2 to 7	<i>Reserved</i>	
4 <sup>2</sup>	0 to 7	Motor current (low byte)	Current (A)
5 <sup>2</sup>	0 to 7	Motor current (high byte)	
6	0 to 7	Current %FLC (low byte)	Current as a percentage of soft starter FLC setting (%)
7	0 to 7	Current %FLC (high byte)	
8	0 to 7	% Motor 1 temperature	Motor 1 thermal model
9 <sup>1</sup>	0 to 7	% Motor 2 temperature	Motor 2 thermal model
10 <sup>1</sup>	0 to 7	% Power factor	Percentage power factor (100 = power factor of 1)
11 <sup>1</sup>	0 to 7	Power (low byte)	Power low byte, scaled by power scale
12 <sup>1</sup>	0 to 3	Power (high nibble)	Power high nibble, scaled by power scale
	4 to 5	Power scale	0 = Multiply power by 10 to get W 1 = Multiply power by 100 to get W 2 = Power (kW) 3 = Multiply power by 10 to get kW
	6 to 7	<i>Reserved</i>	
13	0 to 7	<i>Reserved</i>	

<sup>1</sup> Only available on Digistart IS soft starters.

<sup>2</sup> For models IS0430N and smaller this value will be 10 times greater than the value displayed on the keypad.



## 6.3 Trip Codes

Table 6-3 Trip messages

Code	Trip Type	Digistart CS	Digistart IS
0	No trip	●	●
11	Input A trip		●
20	Motor overload (thermal model)	●	●
21	Heatsink overtemperature		●
23	L1 phase loss		●
24	L2 phase loss		●
25	L3 phase loss		●
26	Current imbalance	●	●
27 <sup>1</sup>	Ground fault		●
28	Instantaneous overcurrent		●
50	Power loss/Power circuit	●	●
54	Phase sequence	●	●
55	Frequency	●	●
60	Unsupported option (function not available in inside delta)		●
61	FLC too high (FLC out of range)		●
62	Parameter out of Range		●
70	Miscellaneous		●
75	Motor thermistor	●	●
101	Excess start time	●	●
102	Motor connection Tx		●
104	Internal fault x (where x is the fault code detailed in the table below).		●
110	Input B trip		●
113	Starter communication (between module and soft starter)	●	●
114	Network communication (between module and network)	●	●
115	L1-T1 shorted		●
116	L2-T2 shorted		●
117	L3-T3 shorted		●
118	Motor 2 overload (thermal model)		●
119 <sup>2</sup>	Time-overcurrent (Bypass overload)	●	●
121	Battery/clock		●
122	Thermistor circuit		●
123	RTD/PT100 A		●
124 <sup>1</sup>	RTD/PT100 B		●
125 <sup>1</sup>	RTD/PT100 C		●
126 <sup>1</sup>	RTD/PT100 D		●
127 <sup>1</sup>	RTD/PT100 E		●
128 <sup>1</sup>	RTD/PT100 F		●
129 <sup>1</sup>	RTD/PT100 G		●
131	RTD/PT100 X Circt		●
132	Analog input trip		●
133	Overpower		●
134	Underpower		●

<sup>1</sup> Available with Digistart IS only if the appropriate option card is fitted.

<sup>2</sup> For Digistart IS, time-overcurrent protection is only available on internally bypassed models.

### 6.3.2 Internal Fault x

The table below details the internal fault code associated with trip code 104.

**Table 6-4 Internal fault X**

Internal fault	Message displayed on the keypad
70	Current Read Err Lx
71	
72	
73	Power On in Simulation mode
74	Motor connection Tx
75	
76	
77	Firing fail SCRx
78	
79	
80	VZC Fail Px
81	
82	
83	Low Control Volts
84	Internal fault X Contact your local supplier with the fault code (X).
85	
86	
87	
89	
90	
91	
92	
93	
94	
95	
96	
97	
98	

## 7. Parameter Object

The DeviceNet Module supports parameter objects through explicit messaging. Soft starter parameters can be uploaded (written) and downloaded (read) using DeviceNet management software. When the DeviceNet Module is powered up, it automatically obtains parameter information from the soft starter.

**Table 7-1 Parameter object details**

Detail	Value (Hex)	Comment
Class	0F	Parameter object address
Instance	1 to xxx	xxx = maximum soft starter parameter number
Attribute ID	01	Always 0x01
Get Service	0E	Read single soft starter parameter value
Set Service	10	Write single soft starter parameter value

**NOTE** Only available on Digistart IS soft starters. For parameter details, see the soft starter User Manual.

---

## 8. Specifications

---

### Enclosure

Dimensions .....	40 mm (W) x 166 mm (H) x 90 mm (D)
Weight .....	250 g
Protection .....	IP20

### Mounting

Spring-action plastic mounting clips (x 2)

### Connections

Soft starter .....	6-way pin assembly
Network .....	5-way male and unpluggable female connector (supplied)
Maximum cable size .....	2.5 mm <sup>2</sup>
Contacts .....	Gold flash

### Settings

Node address (MAC ID)	
Setting .....	Rotary switches
Range .....	0 to 63 (63, factory default)
Data rate	
Setting .....	Rotary switch
Options .....	125 kB, 250 kB, 500 kB (125 kB, factory default)

### Power

Consumption	
steady state .....	19 mA at 25 Vdc
.....	31 mA at 11 Vdc
in-rush (at 24 Vdc) .....	1.8 A maximum for 2 ms
Galvanically isolated	

### Certification

CE .....	IEC 60947-4-2
C✓ .....	IEC 60947-4-2

0477-0008-03